



MATR.

***Thank you for purchasing a MINUTEMAN Mixer from an IMER U.S.A. dealer. Your decision is an intelligent one. No other mixer in the world today offers the features and value of the MINUTEMAN Mixer.***

- \* After the initial set-up the MINUTEMAN Mixer can be knocked down or reassembled in 1 minute.
- \* Direct drive drum rotation, efficient and safe.
- \* Portable, the large 12" wheels make moving the MINUTEMAN a breeze around the home or job site.
- \* Compact, the clever design allows the MINUTEMAN to fit into the trunk or hatchback area of almost all cars.
- \* Finish, the high quality of paint and construction components ensure a piece of equipment that you will be proud to own for years.

*At IMER U.S.A. we continually search for ways to better serve our customers. Should you have an idea or thought to share with us regarding this Product we would appreciate hearing from you. Our motto is **"Tools and Services for the 21st Century"**. We look forward to delivering the goods.*

*Thank you again for your purchase,*



*Mace T. Coleman, Jr.  
President, Imer U.S.A. Inc.  
207 Lawrence Avenue  
So. San Francisco, CA 94080  
Tel. (650) 872-2200  
Fax (650) 873-6482*



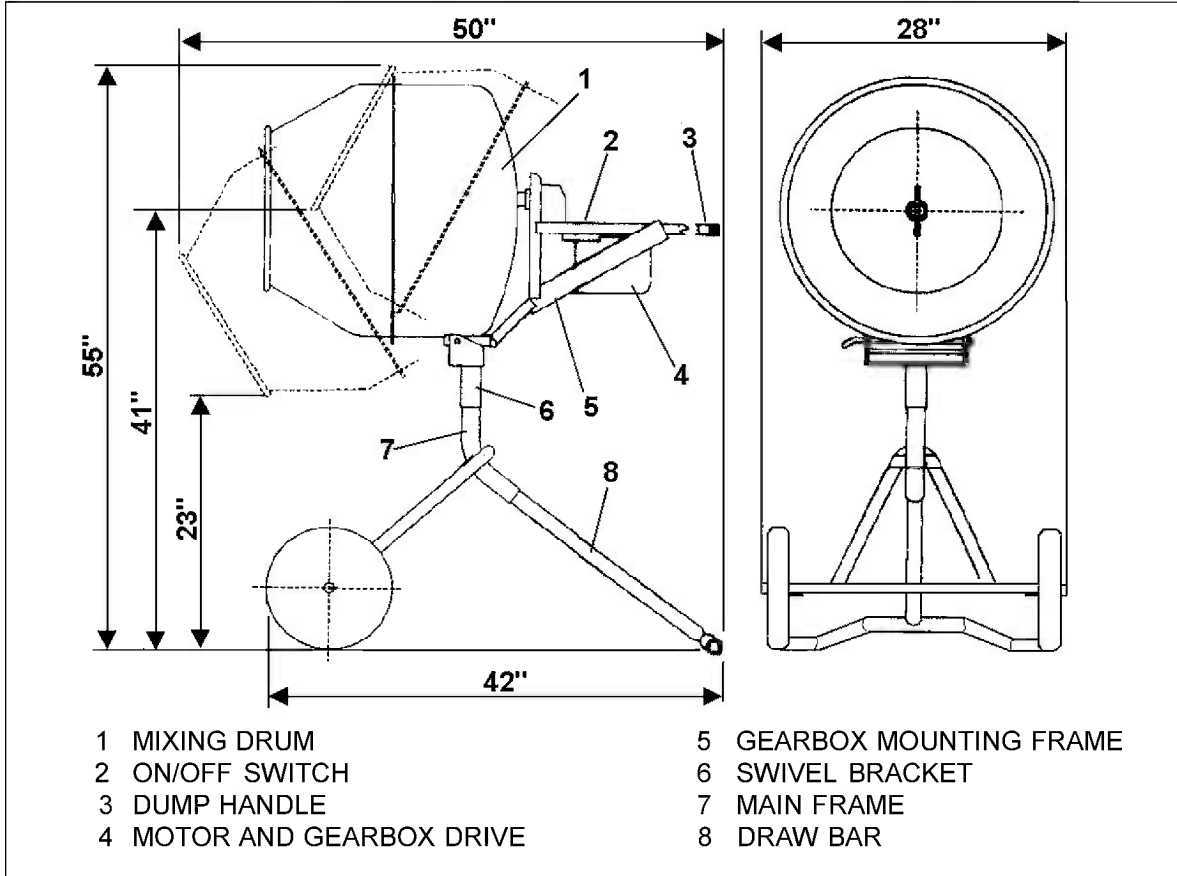
## **TABLE OF CONTENTS**

<b>TECHNICAL DATA .....</b>	<b>page 4</b>
<b>NOISE EMISSION LEVEL .....</b>	<b>page 4</b>
<b>WIRING DIAGRAM .....</b>	<b>page 5</b>
<b>SAFETY NOTES .....</b>	<b>page 6</b>
<b>ASSEMBLY .....</b>	<b>page 7</b>
<b>MOVING THE MINUTEMAN.....</b>	<b>page 9</b>
<b>SETTING UP THE MINUTEMAN .....</b>	<b>page 9</b>
<b>OPERATING THE MINUTEMAN .....</b>	<b>page10</b>
<b>MAINTENANCE AND CLEANING.....</b>	<b>page11</b>
<b>ORDERING SPARE PARTS .....</b>	<b>page11</b>
<b>SPARE PARTS DIAGRAM .....</b>	<b>page12</b>
<b>WARRANTY .....</b>	<b>page15</b>





**TECHNICAL DATA**



Drum capacity	5 cubic feet
Batch Output	2.5 cubic feet, 270 lbs. *
Drum Diameter	24 inches
Discharge outlet height	23 inches
Wheels	12" x 2.5"
Single Phase electric motor	.5 H.P.
Operating dimensions	42" x 25" x 58"
Storage dimensions	25" x 25" x 25.5"
Weight	120 pounds
Hertz	60
Voltage	110
Motor R.P.M.	1680

\* Capacities based on usable volume.

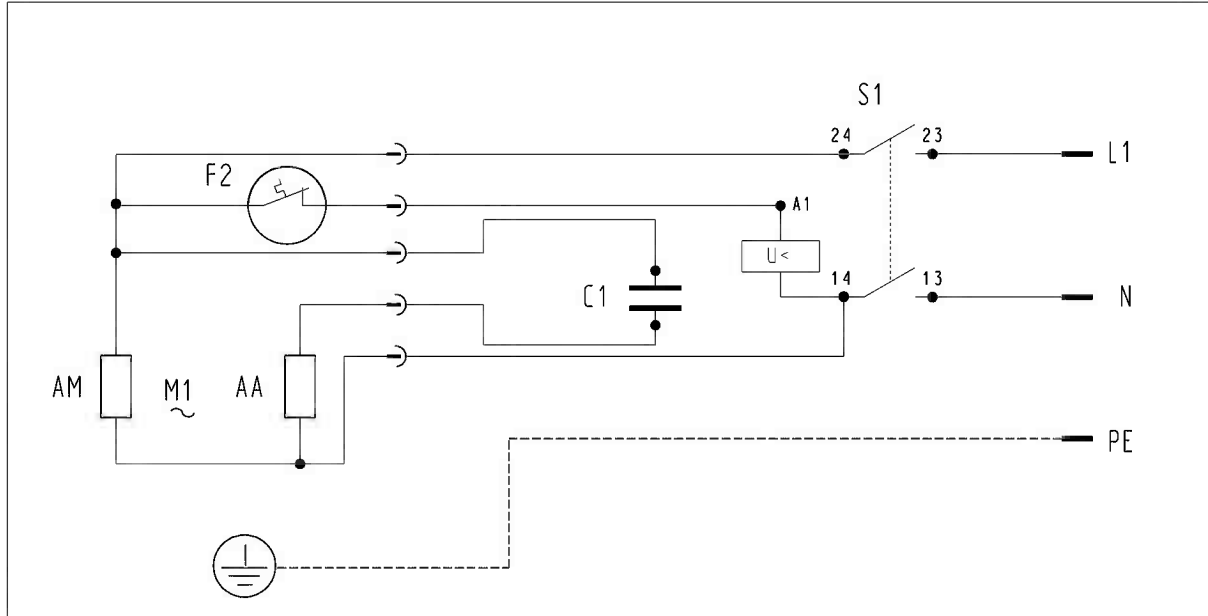
Product development and improvement is an ongoing process, therefore, specifications may change without notice.



## NOISE EMISSION LEVEL

The MINUTEMAN has a noise emission level of 68 decibels.

## WIRING DIAGRAM



PE	Protection wire
N	Neutral wire
L1	Phase wire
S1	Stop and start button
F2	Thermal protection for electric motor
C1	Capacitor
M1	Single phase motor
AM	Motor winding
AA	Motor winding



### **WARNING**

*Any type of electrical repair or trouble-shooting should only be performed by an IMER dealer or a properly qualified electrical repair shop. For assistance with any electrical difficulty, IMER U.S.A. is always directly available for assistance. Call 415.872.2200 between 8-5 Pacific Standard Time.*





## SAFETY NOTES

# IMPORTANT ! READ THIS SECTION CAREFULLY !

Your MINUTEMAN mixer has been designed with safety in mind. However, as with any type of machinery, some basic **DO'S** and **DONT'S** apply:

### DO NOT

*Place your hand or hands in or around any part of the drum while it is operating !*



### DO NOT

*Place any tools or instruments in or around the drum while it is operating !*



### DO NOT

*Operate the mixer on a surface that is not flat or is uneven !*

*Always operate the MINUTEMAN on a level surface, if placed on an incline the machine will fall over.*



### DO NOT

*Clean, assemble or work on the unit while it is plugged in !*

### DO NOT

*Allow water to contact the motor or electrical connections at any time !*

### DO NOT

*Operate the unit in or around water puddles.*

### DO NOT

*Leave the machine unattended !*

### DO NOT

*Allow other persons around the mixer while it is operating !*

### DO NOT

*Operate the mixer while under the influence of alcohol or drugs !*





## **DO NOT**

*Do not start and stop the mixer with material in the drum, this will damage the motor and is not the best way to mix.*

***Always** have the drum rotating when filling or discharging the mixer*

## **SAFETY NOTES**

### **DO**

*Read all the instructions before operating the mixer.*

### **DO**

*Use caution when assembling and transporting the mixer.*

### **DO**

*Keep the mixer clean and free of debris and mix build-up.*

### **DO**

*Keep all the moving parts lightly greased (wheel axles, swivel bracket, etc.).*

### **DO**

*Periodically inspect your mixer for abnormal wear or damage.*

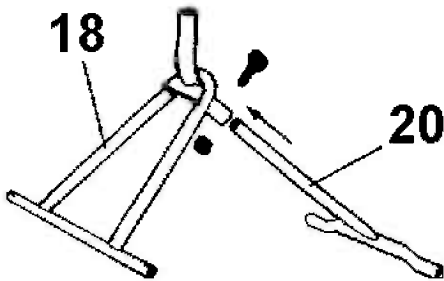
### **DO**

*Wear the appropriate safety gear; hard hat ,gloves, goggles, ear protection and wear tight clothing around the mixer.Loose clothing can cause injury should it become entangled with the mixer.*

## **ASSEMBLY - Follow drawings 1 thru 6 -**

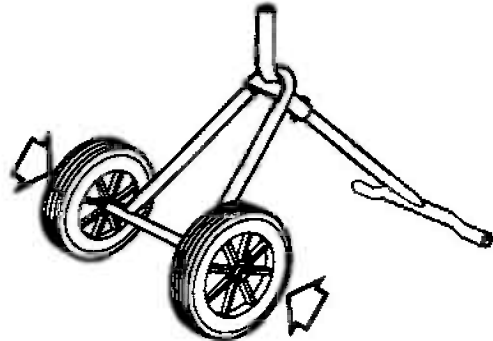
**1**

Place the main frame (# 18 Drawing 1) on a level surface as illustrated in this diagram. Insert and secure the draw bar (# 20 Drawing 1) into the main frame with the 3" hex head bolt and nut, using the open wrench provided in the assembly kit.



**2**

Slide the wheels (# 8 Drawing 1) onto the main frame bar(# 18 Drawing 1) and anchor them in place with the cotter pins (# 13 Drawing 1)which are included in the assembly kit provided with each MINUTEMAN mixer.

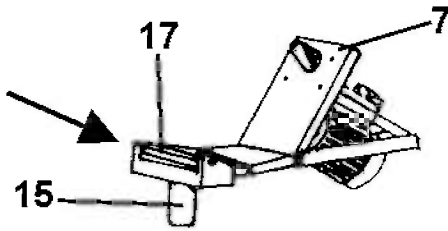




## ASSEMBLY

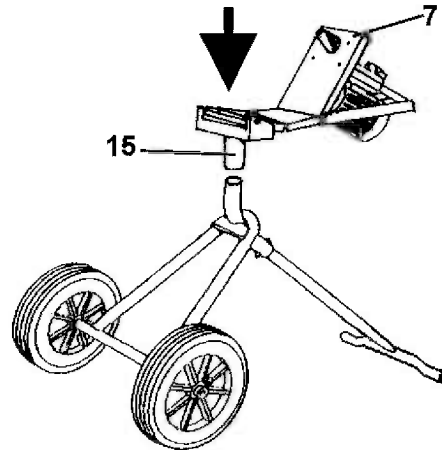
**3**

Fit the gear-box frame and motor assembly (# 7 Drawing 1) into the swivel bracket (# 15 Drawing 1) with the anchor pin, (# 17 Drawing 1) slide the cotter pin through the anchor pin hole (# 16 Drawing 1).



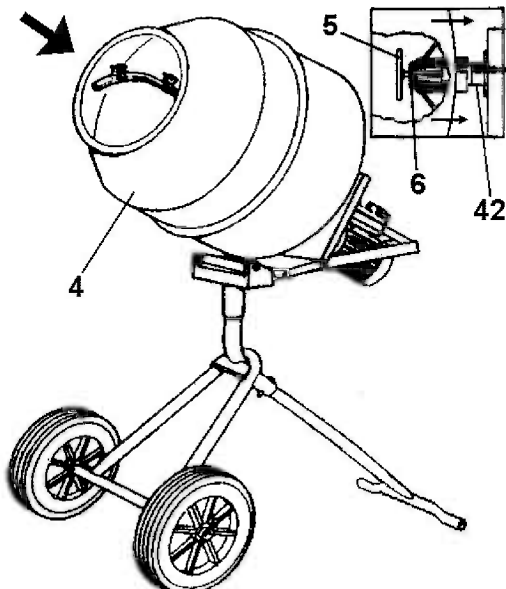
**4**

Slide the swivel bracket (# 15 Drawing 1) onto the main frame upright. The gear-box and motor assembly (# 7 Drawing 1) is mounted into this swivel bracket.



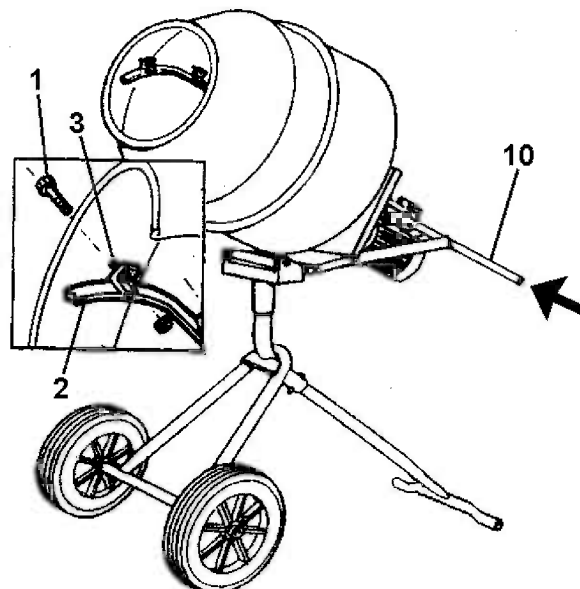
**5**

Mount the mixing drum (# 4 Drawing 1) onto the gear-box shaft (# 42 - # 6 Drawing 2) by aligning the guide notch with the locating pin on the gear shaft. Secure the drum to the gear-box shaft with the T-handle bolt (# 5 Drawing 1) and washer (# 6 Drawing 1) provided in the assembly kit.



**6**

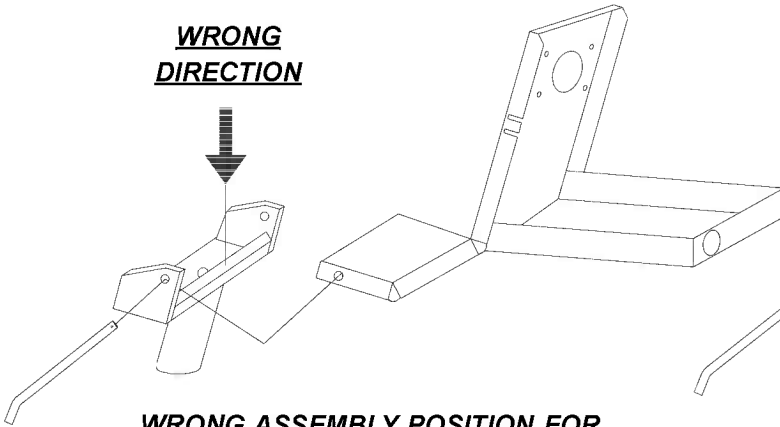
Secure the mixing blades (# 2 Drawing 1) to the inner drum with the screws (# 1 Drawing 1) and nuts (# 3 Drawing 1) provided in the assembly kit. Assembly with the screws heads on the outer drum. Finally, insert tilting handle (# 10 Drawing 1) in the handle mounting tube and lock using the cotter pin provided in the assembly kit.





**NO**

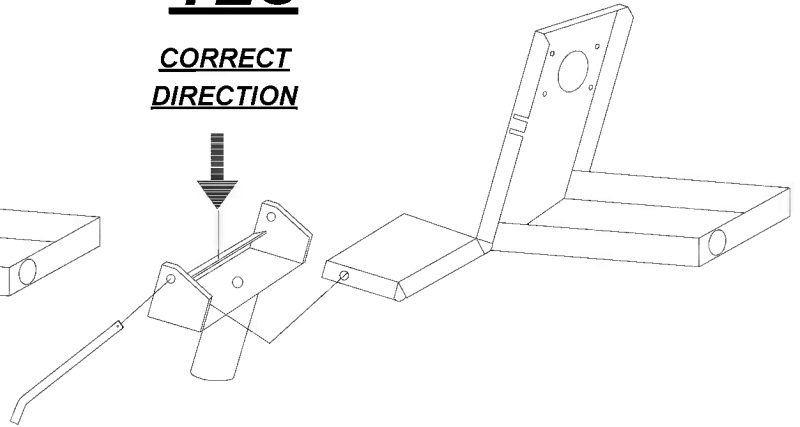
**WRONG  
DIRECTION**



**WRONG ASSEMBLY POSITION FOR  
THE SWIVEL BRACKET**

**YES**

**CORRECT  
DIRECTION**



**CORRECT ASSEMBLY POSITION FOR  
THE SWIVEL BRACKET**

**MOVING THE MINUTEMAN**



**WARNING**

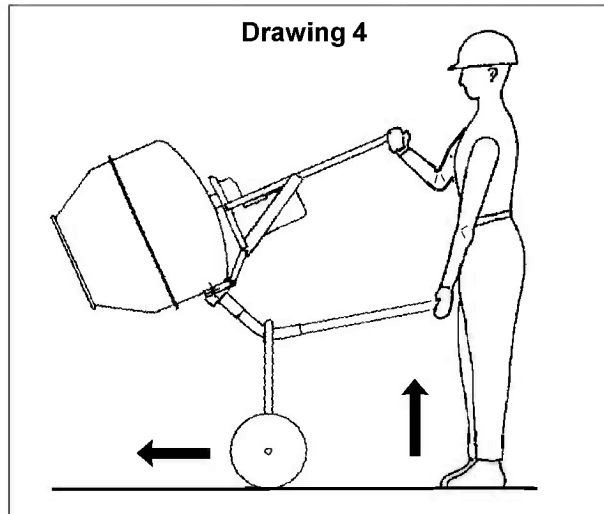
***Always disconnect the power cord before moving the mixer.***

To roll the machine, hold the support leg and dump handle and move as shown in Drawing 4.



**WARNING**

***Do not attempt to move the mixer when there is material in the drum, it must be empty.***



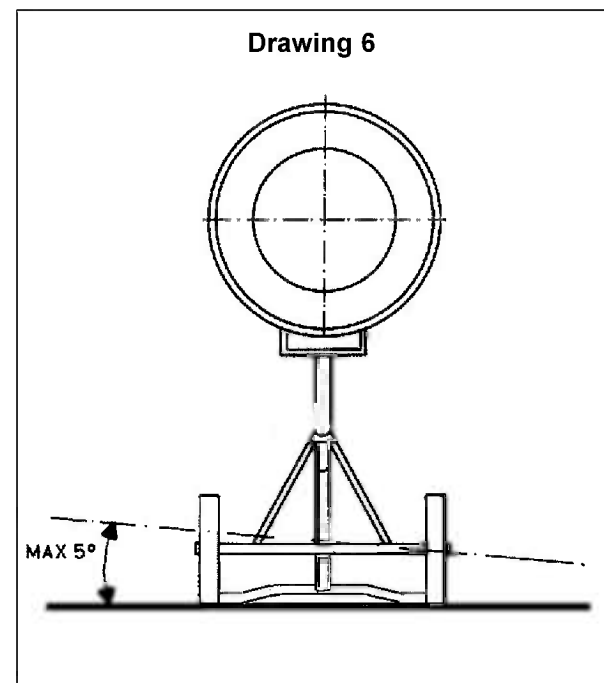
**SET-UP**



***Position the machine on a level surface as illustrated in the drawing 6 (maximum allowable slope 5 degrees, as shown in drawing 6).***



***To complete the mixer set-up, before loading the drum, make sure the mixer can properly discharge into a wheel barrow.***





## **OPERATION**

- 1) Use a 3 prong, grounded, 110 volt power connection for safe operation. The line should be at least 14 gauge.
- 2) To mix concrete, add water, concrete, and aggregate while the drum is rotating.
- 3) Discharge the mixed concrete by elevating the dump handle (# 10 Drawing 1) while the drum is rotating.



***NOTE: When tilting the drum to discharge the concrete, do so slowly. It is important to perform the discharge smoothly, this keeps the machine balanced and upright.***

4) The ON/OFF switch in the motor of the MINUTEMAN mixer provides thermal protection to the motor in the event of overheating. Should your motor shut off automatically, turn off the unit and unplug it for 15 minutes. This allow the motor to cool. After the cooling period, plug in the motor and press the start switch. If the motor does not restart and continue to run, contact your local IMER products distributor, or call IMER direct at (415) 872-2200.

## **MAINTENANCE**

The MINUTEMAN Mixer requires very low maintenance. However, a few basic maintenance procedures should be followed.



***NOTE: Always unplug the mixer from its power source before any cleaning or maintenance functions are performed.***

- 1) Clean the mixer after each use and do not allow any concrete to build up on any portion of the mixer.
- 2) Change the gear-box oil approximately every 500 hours of operation (Use SAE 40). Essentially the gearbox is sealed for the life of the mixer.
- 3) Keep all moving parts lightly greased.
- 4) Keep the electric motor cooling fins clean and free of debris build-up.



***NOTE: When spraying the mixer with water, do not direct the water onto the motor or the ON/OFF switch assembly.***

## **SPARE PARTS**

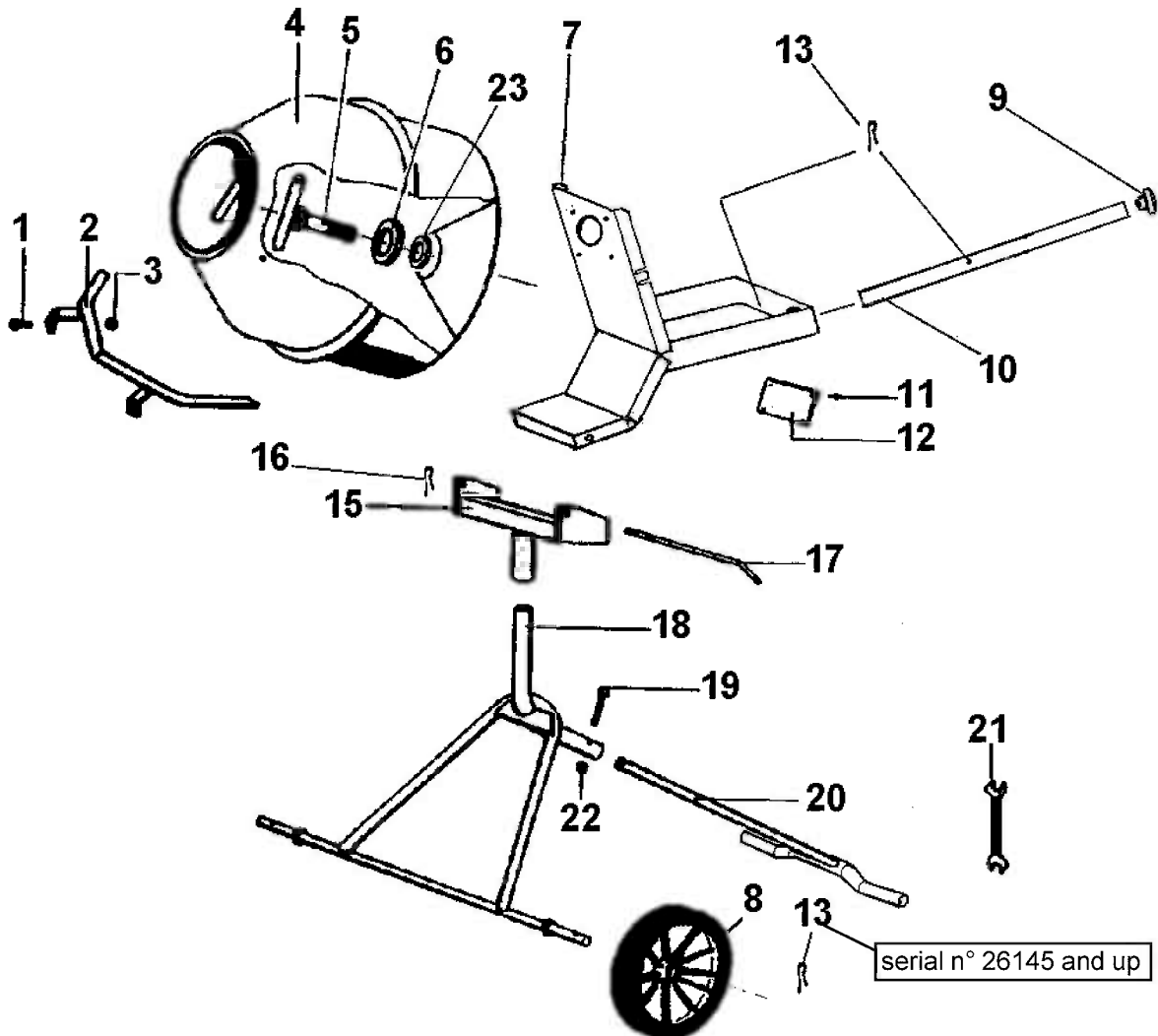
***All orders for spare parts must include the following:***

- 1) *Type of machine.*
- 2) *Part number and drawing references of each part.*
- 3) *Serial number and year of manufacture recorded on the machine's identification plate.*



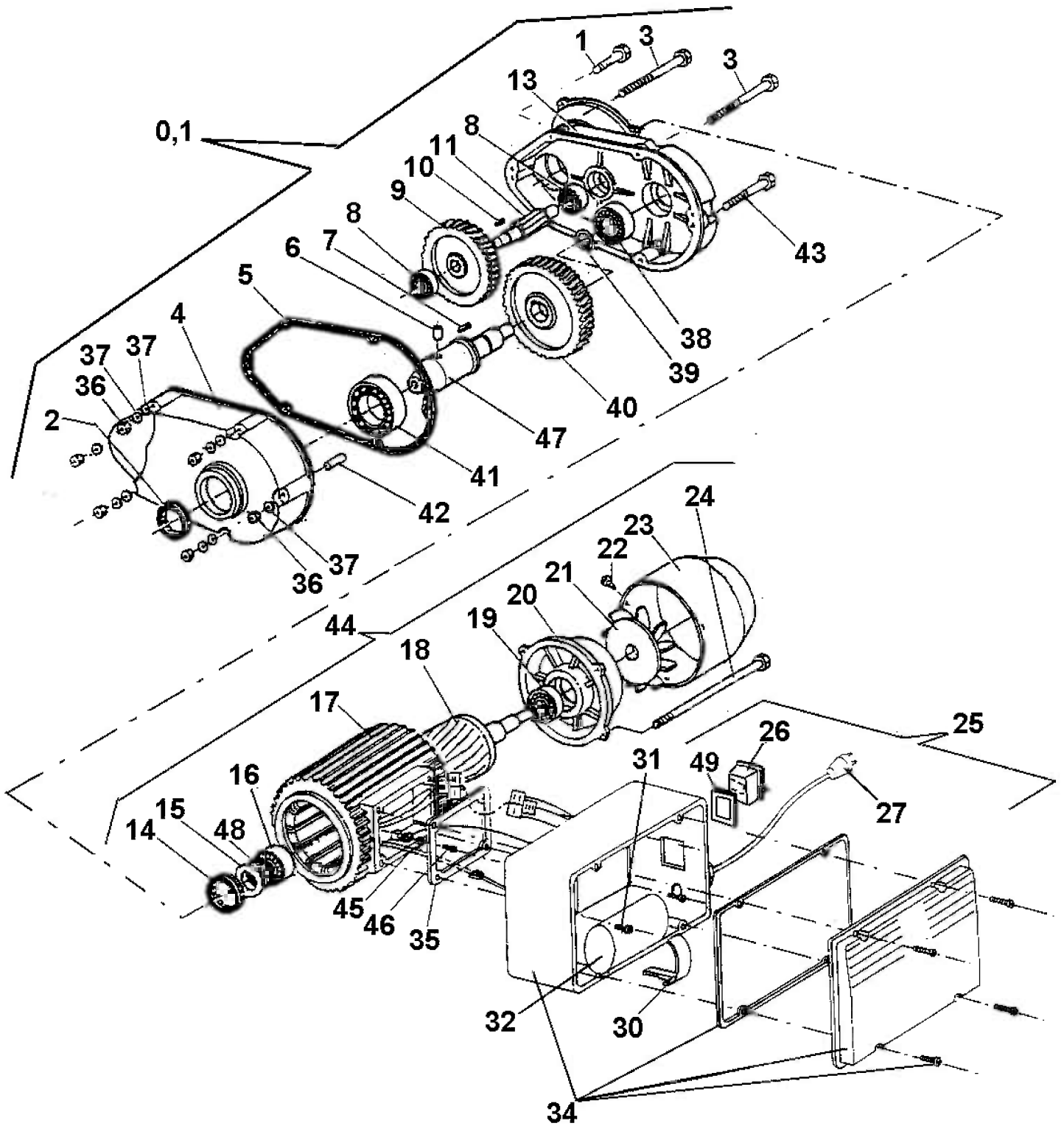


AB013 - 1126605		DRAWING 1 FRAME AND DRUM ASSEMBLY	
Ref.	P.n.	Description	NOTE
1	2222193	SCREW	TB M12 x 25
2	2250155	MIXING PADDLE	
3	2223700	NUT	5588 M12z
4	2250719	DRUM	
5	2222982	T - BOLT	
6	2224428	WASHER	14X36X6
7	3206159	GEAR BOX FRAME	
8	3206390	WHEEL	
9	2235450	PLUG	
10	3206149	DUMP HANDLE	
11	2288786	RVET	
12	3201255	I.D. PLATE	
13	2226700	COTTER PIN	
15	3206140	SWWEL BRACKET	
16	2226702	SPLIT-PIN	1.8/35
17	3206152	PIVOT AXLE	
18	3206365	MAIN FRAME	
19	2222148	SCREW	5737 M10X65
20	2255749	DRAW-BAR	
21	2289740	WRENCH	17X19
22	2223650	NUT	5588 M10
23	3206800	CIRCLIP	M1455 ZA ø14 serial n° 25105 and up





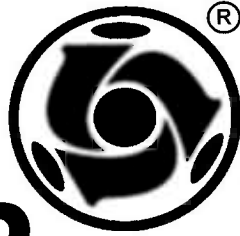
DRAWING 2 MOTOR AND GEARBOX ASSEMBLY (115V - 60Hz)





AB013 - 1126605		DRAWING 2 MOTOR AND GEARBOX ASSEMBLY (115V - 60Hz)	
Ref.	P.n.	Description	NOTE
0,1	3203932	MOTOR AND GEARBOX ASSEMBLY COMPLETE	115V-60HZ
1	2222010	BOLT	5739 M6X25
2	2207405	SEAL	55X40X10
3	2222014	BOLT	5737 M6X50
4	2236552	GEAR-BOX CASE HALF	
5	2216332	ASKET	
6	2228360	SHEAR PIN	8 X 16
7	2229500	KEY	8X7X15
8	2204420	BALL BEARING	6201
9	3213904	GEAR	Z.79
10	2229249	KEY	5X5X12
11	2202823	GEAR	Z9
13	2215006	GEARBOX CASE HALF	
14	2207300	SEAL	42X20X7
15	2237339	SPACER WASHER	
16	2204442	BEARING	6004 2Z
17	3203801	STATOR	
18	2290803	ROTOR	
19	2204242	BEARING	6202-2Z
20	2291491	BELL HOUSING	
21	2291471	FAN	
22	2222451	SCREW	TC6954 3,5X9,5
23	2291256	FAN COVER	
24	2222973	BOLT	SPEC.M5X135
25	3209534	SWITCH BOX COMPLETE	110V-60HZ
26	3209539	ON/OFF SWITCH	
27	3209542	POWER CORD WITH PLUG	0.35 M
30	3209541	PLASTIC CLAMP	
31	2222464	SCREW	TRILOB.TC PH M4X10N
32	3213709	CONDENSER	µF 40 V250
34	3209217	ELECTRIC BOX ASS'Y + SCREW + GASKET	
35	3209214	GASKET	
36	2223260	NUT	5587 M6
37	2224530	WASHER	6592Ø6X12.5
38	2204550	BEARING	6205
39	2227240	SPACER WASHER	7435 E/30
40	2202492	GEAR	Z68
41	2204504	BEARING	6008
42	2228818	LOCATING PIN	Ø6X10
43	2222013	BOLT	5737 M6X40
44	3203816	MOTOR	115V-60HZ
45	3203265	WASHER	6798A Ø4
46	2222458	SCREW	TC PH M4X6
47	2201157	GEAR BOX DRIVE SHAFT	
48	3203067	STOP RING	C.72 Ø42X30X0,3
49	*	GASKET	





# **IMER U.S.A. INC.**

## **EQUIPMENT WARRANTY**

### **IMER U.S.A. INC.**

207 Lawrence avenue  
So. San Francisco, CA 94080  
Tel.(650) 872-2200  
Fax(650) 873-6482

We warrant to the original purchaser that the IMER equipment described herein (the "equipment") shall be free from defects in material and workmanship under normal use and service for which it was intended for period of one (1) year from the date of purchase by the original purchaser.

Our obligation under this warranty is expressly limited to replacing or repairing, free of charge, F. O.B. our designated service facility, such part of the equipment as our inspection shall disclose to be defective. Parts such as engines, motors, pumps, valves, electric motors, etc. furnished by us, but not manufactured by us, will carry only the warranty of the manufacturer. Transportation charges or duties shall be borne by purchaser. This shall be the limit of our liability with respect to the quality of the equipment.

This warranty shall not apply to any equipment, or parts thereof, which has been damaged by reason of accident, negligence, unreasonable use, faulty repairs, or which has not been maintained and operated in accordance with our printed instructions for the equipment. Further, this warranty is void if the equipment, or any of its components, is altered or modified in any way.

**THIS WARRANTY IS EXPRESSLY IN LIEU OF ALL OTHER WARRANTIES, EXPRESSED OR IMPLIED, INCLUDING ANY IMPLIED WARRANTY OF MERCHANTABILITY OR FITNESS FOR A PARTICULAR PURPOSE.**

We make no other warranty, representation or guarantee, nor is anyone authorized to make one on our behalf. We shall not be liable for consequential damage of any kind, including loss or damage resulting, directly or indirectly, from the use or loss of use of the machine. Without limiting the generality of the foregoing, this exclusion from liability embraces the purchaser's expenses for downtime, damages for which the purchaser may be liable to other person, damages to property, and injury or death of any persons.

This warranty shall not be deemed to cover maintenance parts, including but not limited to blades, belts, hoses, hydraulic oil, or filters, for which we shall have no responsibility or liability whatsoever.