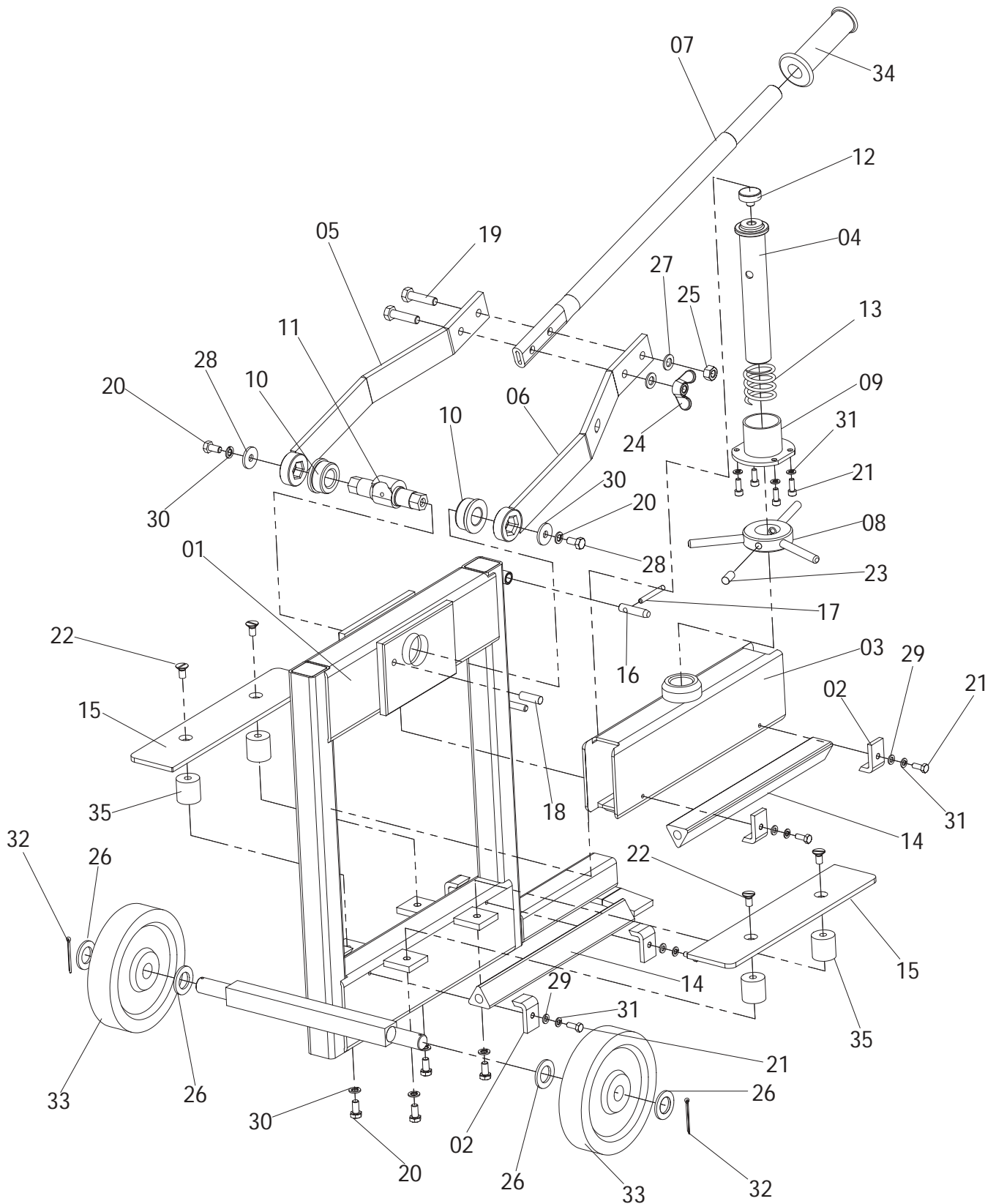


180-00099-0 08/04 Maxipave Blocksplitter Page 1 of 2



ITEM NUMBER <sup>(1)</sup>	PART NUMBER <sup>(2)</sup>	DESCRIPTION <sup>(3)</sup>	QUANTITY <sup>(4)</sup>
1	180-99501	Frame	1
2	180-99502	Blade Gusset	4
3	180-99503	Moving Beam	1
4	180-99504	Bolt Complete	1
5	180-99505	Right Arm Bent	1
6	180-99506	Left Arm Bent	1
7	180-99507	Upper Arm	1
8	180-99508	Swivel	1
9	180-99509	Spring Bush	1
10	180-99510	Cam Bush	2
11	180-99511	Cam	1
12	180-99512	Top Cap	1
13	180-99513	Spring	1
14	180-99514	Blade	2
15	180-99515	Table	2
16	180-99516	Lock Pin	1
17	180-99517	Pin Lock	1
18	180-99518	Stop	1
19	180-99519	Special Bolt	2
20	180-99520	M8x16 5.8 Zinc Plated Bolt	6
21	180-99521	M6x16 8.8 Zinc Plated Bolt	8
22	180-99522	M8x10 Conical Bolt	4
23	180-99523	M6x12 Conical End Bolt	1
24	180-99524	M10 Zinc Plated Wing-nut	1
25	180-99525	M10 Zinc Plated Self Securing Nut	1
26	180-99526	21 Zinc Plated Washer	4
27	180-99527	10,5 Zinc Plated Washer	2
28	180-99528	9x28x3 Zinc Plated Washer	2
29	180-99529	8,4 Zinc Plated Washer	4
30	180-99530	8,2 Zinc Plated Spring Washer	6
31	180-99531	6,1 Zinc Plated Spring Washer	8
32	180-99532	3,2x40 Zinc Plated Cotter Pin	2
33	180-99533	160 dia Driving Wheel Plastic	2
34	180-99534	Red Coloured Rubber Handle	1
35	180-99535	Vibration Insulator 30x30 type B	4

Belle Group reserves the right to alter details and specification without notice

<sup>(1)</sup> **Item Number** / numéro sur le schéma / número de la ilustración / número da ilustração / afbeeldingsnummer / tegningsnummeret / Teil-Nummer / numero dell'illustrazione

<sup>(2)</sup> **Part Number** / Numéro de référence de la pièce / número de pieza / número da parte / stuknummer / Styknummer / Nummer auf der Abbildung / numero di parte

<sup>(3)</sup> **Description** / Désignation / Descripción / Descrição / Omschrijving / Beskrivelse / Bezeichnung / Descrizione



+44 (0)1538 380000



+44 (0)1538 380038



parts@belle-group.co.uk